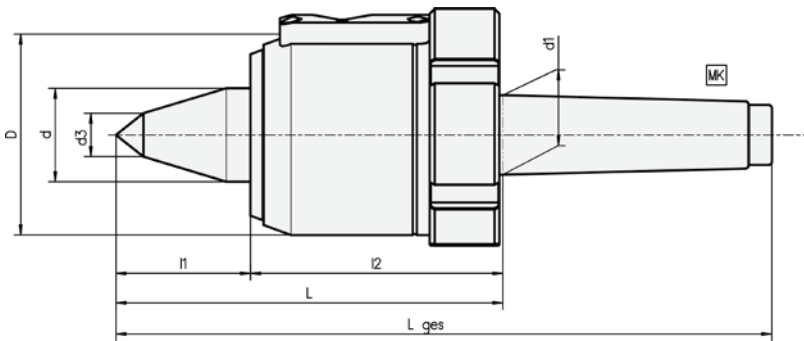


MITLAUFENDE PRÄZISIONS-DREHBANKSPITZE PRECISION LIVE CENTER

**807
KOP**



Type	MK	D	d	d1	Lges	L	l1	l2	d3	Federweg [mm]	Drehzahl max. [1/min]	Werkstückgewicht max. [kg]	Rundlauf-Abweichung max. [mm]
Type	MT	D	d	d1	Lges	L	l1	l2	d3	Spring travel [mm]	Rotational frequency max. [1/min]	Workpiece weight max. [kg]	Concentricity run-out max. [mm]
837 KOP	3	60	28	23,83	196	115	39	76	12	3	5000	200	0,005
847 KOP	4	68	35	31,27	236	134	51	83	14	3	4000	500	0,005
857 KOP	5	92	50	44,4	292	162	67	95	18	3	3500	800	0,005

Product features

- ▶ Spring-loaded center with pressure indicator for visual control of clamping force
- ▶ Visual display of clamping pressure during machining
- ▶ To use as counter tip for face drivers or for compensating length deviation
- ▶ Extremely rigid bearing set up with additional shank support
- ▶ Center point made of fully hardened tool steel
- ▶ High runout accuracy
- ▶ Maintenance-free permanent lubrication
- ▶ Rotary shaft seal prevents ingress of dirt and coolant
- ▶ Complete tool hardened and ground